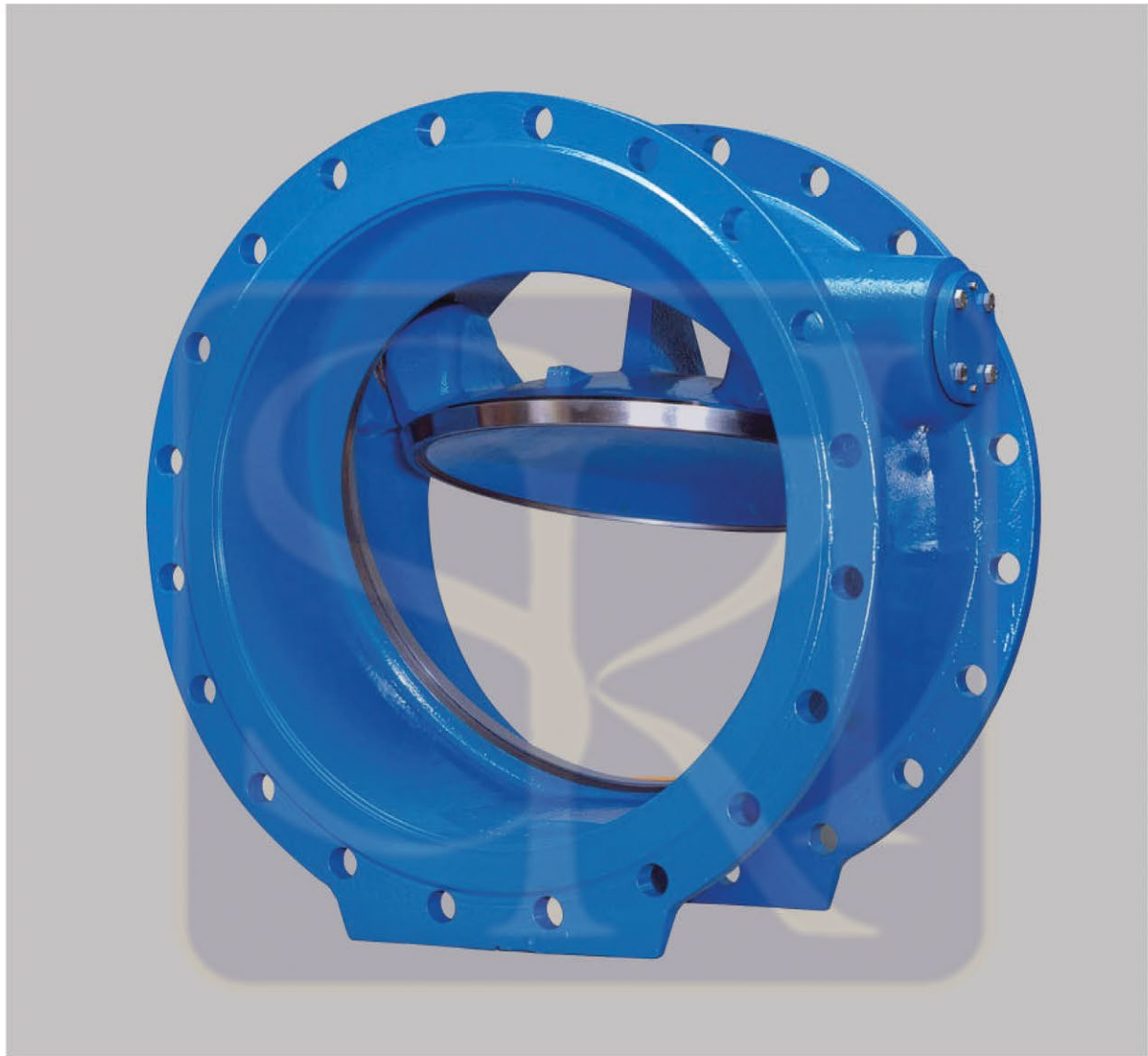


# **INFRA VALVE**

**Ductile Iron Slanted Seat Tilting Disk Check Valve**  
PN 10 , PN 16 & PN 25 Rating  
DN 200 - 1200 mm.



*Innovative Flow Control Solution*



## **Shree Krishna Industries**

**Manufacturers of all types of valves & fittings**

An ISO 9001/14001/45001 Company

**H.O. & Works :**

**Office & Works :** P-261/1, Benaras Road, Belgachia, Howrah-711108 (W.B.)

**Foundry :** P-282/1, Benaras Road, Belgachia, Howrah-711108 (W.B.)

**Ph.:** 033-2651-0077, **Mobile :** +91 91639 05657 / 9874445657

**E-mail :** skivalves@gmail.com, Website : [www.infravalves.in](http://www.infravalves.in)

# D.I. Slanted Seat Tilting Disc Check Valve

## Dimensions And Materials Specification

PN 10, PN 16 & PN 25 Rating, DN 200-1200 mm



INFRA VALVE

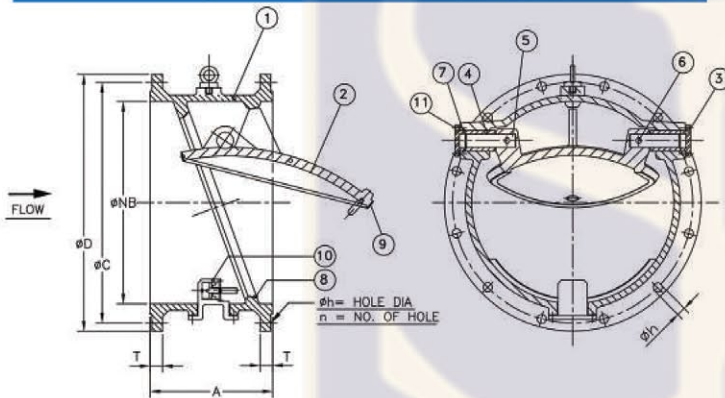
WRAS APPROVED PRODUCT

### Description

- Disc Check Valves are used to prevent reversal of flow in horizontal or vertical pipelines. In vertical pipelines or any angle from horizontal to vertical. These can be used for upward flow only. Disc check valves are similar to swing check valves. In most installations, slamming is minimized upon reversal flow. So, noise and vibrations are reduced.

### Technical Requirements

- Meet design requirements as per BS-EN 12334
- Meet Inspection requirements as per EN 1226 (DIN 3230 part 4) / API 598
- Face to face dimensions as per EN 558-1, basic series 14 (DIN 3202, F4)
- The flange of the valve is according to IS 1538-93 (table-6) & BS 4504 also available as per BS EN 1092-2, DIN 2532/2533 & ISO 7005



### Salient Features

- Disc Check Valves consists of a cylindrical housing, with a pivoted circular disc.
- The pivots are located just above the center of the disc and offset from the plane of the body seat.
- This design gives a bell – crank action to the disc. The seat is circular bevel type and the disc drops in out of contact without rubbing or sliding
- Short distance of travel, combined with a balanced disc allows rapid closure while minimizing slamming
- Pivot pins are constructed of a stainless steel
- Drop tight seating is accomplished over the full pressure range because a slight clearance at the pivot pin assures complete seating between the disc ring and body ring
- The full flow area with lower head loss ensures the highest efficiency and durability
- Disc swings smoothly also at a low flow velocity results low head loss and pumping capacity (saving energy).
- Due to tilting orientation of disc the stroke is shortened about 30 degree resulting shorter closing time, less back flow and reduces slamming on disc.
- Additional internal damping unit for the reduction of pressure surges can be retrofitted approximately 10-15% before final closed position. Alternatively shafts protrude on both sides of the body allow the lever and counter weight to be mounted on right or left side for both horizontal and vertical pipeline application.
- All cast components are fully protected from corrosion by electro statically applying powder or liquid epoxy coating with a minimum thickness of 250 microns.

### MATERIALS SPECIFICATION

MATL.	Body (1) Disc (2)	Shaft (5) Pin (6)	Body Seat Face (8) Disc Face Seat (9)	Retainer (3)	Fasteners (11)	Rubber 'O' Ring Unit (7)	Bearing (4)	Damper Unit (10)
STD.	Ductile Iron to DIN 1693 Gr. GGG-40 & GGG-50 or IS 1865 Gr. 400/15 & Gr. 500/7 or BS 2789 Gr. 400/12	Stainless steel to AISI-410/304 or BS 970 (Part-I) Gr. 410S11/304S15 Gr. 431S29	Nickel/Chromium Weld Overlay or AISI-304/316	GLVD. Steel / Stainless Steel	H. T. Steel to IS 1363/BS 4190 Gr. Hot Dipped Galvanised or Stainless steel	EPDM Rubber to Gr. W-270/BS 2494 or Nitrile Rubber	Zinc Free Bronze	Mfr's Std.

NOMINAL PRESSURE (PN)		PN 10	PN 16	PN 25
TESTING PRESSURE	BODY	15 Kg/Sq.Cm.	24 Kg/Sq.Cm.	37.5 Kg/Sq.Cm.
	SEAT	11 Kg/Sq.Cm.	17.6 Kg/Sq.Cm.	27.5 Kg/Sq.Cm.
WORKING PRESSURE		10 Kg/Sq.Cm.	16 Kg/Sq.Cm.	25 Kg/Sq.Cm.
SUITABLE TEMPERATURE (°C)		-10°C to 50°C	-10°C to 50°C	-10°C to 50°C

ALL DIMENSIONS ARE IN MM

Rating	Nominal Bore	(NB)	200	250	300	350	400	450	500	600	700	750	800	900	1000
PN 10	Face to face	(A)	230	250	270	290	310	330	350	390	430	450	470	510	550
PN 16															
	Flange Dia	(D)	340	395	445	505	565	615	670	780	895	960	1015	1115	1230
	Flange P.C.D	(C)	295	350	400	460	515	565	620	725	840	900	950	1050	1160
	Flange Thk	(T)	24.5	23	27.5	29	30	32	33	36	38.5	40	42	44	47
	Hole dia	(h)	23	23	23	23	28	28	28	31	31	31	34	34	37
	No. hole	(n)	8	12	12	16	16	20	20	20	24	24	24	28	28
	Weight	(±kg)	55	80	100	190	190	245	265	550	640	690	730	965	1190

WE RESERVE THE RIGHT TO MAKE CHANGES DUE TO TECHNICAL UPGRADATION