

INFRA VALVE

C.I. / D.I. / C.S. & S.S. Knife Edge Gate Valves

Rating PN 10 Bar

DN 50 - 1200mm



Innovative Flow Control Solution



Shree Krishna Industries

Manufacturers of all types of valves & fittings

An ISO 9001/2015 Company

H.O. & Works :

Office & Works : P-261/1, Benaras Road, Belgachia, Howrah-711108 (W.B.)

Foundry : P-282/1, Benaras Road, Belgachia, Howrah-711108 (W.B.)

Ph.: 033-2651-0077, Mobile : +91 91639 05657 / 9874445657

E-mail : skivalves@gmail.com, Website : www.infravalves.in

Branch Office :

Delhi | Mumbai | Chennai | Patna | Baroda | Bangalore | Ranchi | Hyderabad

Knife Edge Gate Valve

Dimensions And Materials Specification

Rating PN 10 Bar, DN 50-1200MM



Technical Requirements

Applicable Standards / Seat Leakage

INFRA cast iron, ductile iron, carbon steel, stainless steel and alloy steel uni-directional knife-gate valves are tested and supplied in accordance with applicable international standard for bonnetless knife-gate valves MSS SP-81-2006a. This standard covers knife-gate valves in Sizes 50mm / 2" to 900mm / 36".

Uni-directional valves comply with face-to-face dimensions as stipulated in the MSS SP-81 standard.

Pressure Testing

Seat leakage is carried out in the valve's normal flow direction (uni-directional/pressure-assisted sealing).

INFRA uni-directional knife-gate valves comply with MSS SP-81 leakage standards which stipulate:

Metal-seated valves - 40cc / minute / inch valve size, maximum, when tested with water @ 40psi in normal flow direction.

INFRA soft-seated valves are supplied with zero-visible leakage when tested with water at 40psi in normal flow direction.

All shell tests are hydrostatically pressure-tested at 1.5 times the rated working pressure with no visible leakage and seat-tested at 40psi differential pressure in the direction of closure.

The MSS SP-81 standard stipulates seat-leak test at a low pressure of 40psi as knife-gate valves seal better when pressures increase

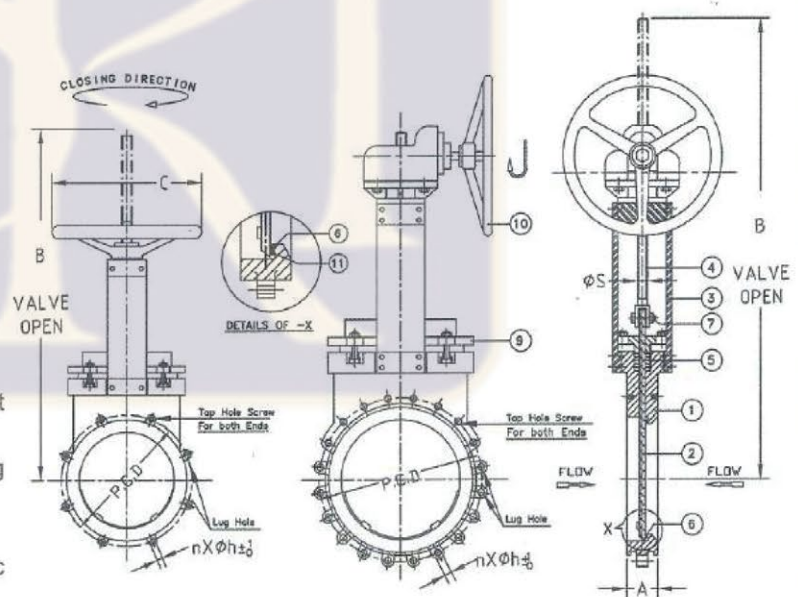
INFRA also supplies metal-seated valves with a lower leakage rate (100cc / minute irrespective of valve size up to 400mm / 16") by lapping the gate / seat interface.

INFRA cast-iron, uni-directional valves are rated 10bar / 150psi up to 300mm / 12" and 5bar / 75psi up to 800mm / 32".

SIZE (mm)	PRESSURE (Psi)	PRESSURE (Bar)
50-600	150 Psi	10 Bar
700-900	100 Psi	7 Bar

Design Features

- Uni/Bi-directional Shut-off design
- Resilient/Metal seated sealing
- End connection Lugged / Flangeless
- Drilling Std. suit to IS, ANSI, DIN, BS std.
- Resilient seated valves Zero leakage type
- Low leakage rate (40cc/min/inch) in metal seated valve
- Flange end & Bonnet type construction as per on request as per on request
- Hardened beveled gate and hardened seat for shearing and sealing.
- Removable insert ring for easy of repair
- Actuation of Hand Wheel, Gearing, Electrical, Pneumatic & hydraulic device.



Materials Specification

MATL.	Body (1) Gland (9) Hand Wheel (10)	Knife Plate (2)	Shaft (4) Pin (7)	Body Seal (6)	Yoke Sleeve (6)	Seal Retainer (11)	Packing (5)	Yoke (3)
STD.	C.I. to IS:210 Gr.FG-260 D.I. to Gr. GGG-40/50 C.S. to ASTM A216 Gr.WCB S.S. to ASTM A351 Gr.CFB	Stainless steel to AISI-304/316 or BS 970 (Part-I) Gr. 304S15/316S31	Stainless steel to AISI-410/304 or BS 970 (Part-I) Gr. 410S21/304S15 Gr. 431S29	EPDM Rubber to Gr. W-270/ BS 2494 or Nitrile Rubber	Phos. Bronze/ L.T. Bronze/ Brass	Stainless steel to AISI-304/ AISI-316	Synthetic Yarn With PTFE/ Impregnated Asbestos Layered With Moulded Rubber	Fab Steel to IS:2062 Gr.B

ALL DIMENSIONS ARE IN MM

Higher sizes / Dimensions on request

Nominal Size	(NB)	50	80	100	150	200	250	300	350	400	450	500	600	700	750	800	900	1000	1100	1200
Face to face	(A)	48	51	51	57	70	70	76	76	89	89	114	114	114	114	117	117	127	143	155
Height (Approx)	(B)	350	100	520	655	835	1020	1170	1330	1530	1710	1910	2170	2520	2690	2870	3210	3380	3550	3940
Hand Wheel Dia	(C)	200	200	250	250	350	400	400	450	450	500	500	500	640	640	640	640	640	640	640
Weight (Approx)	(Kg.)	12	16	19	35	44	68	95	126	176	220	295	405	528	590	660	855	1060	1320	1540