

INFRA

Ductile Iron Resilient Seated Gate Valves

PN 10 , PN 16 & PN 25 Rating
DN 50 - 1200 mm.



Innovative Flow Control Solution



Shree Krishna Industries

Manufacturers of all types of valves & fittings

An ISO 9001/2015 Company

H.O. & Works :

Office & Works : P-261/1, Benaras Road, Belgachia, Howrah-711108 (W.B.)

Foundry : P-282/1, Benaras Road, Belgachia, Howrah-711108 (W.B.)

Ph.: 033-2651-0077, Mobile : +91 91639 05657 / 9874445657

E-mail : skivalves@gmail.com, Website : www.infravalves.in

Branch Office :

Delhi | Mumbai | Chennai | Patna | Baroda | Bangalore | Ranchi | Hyderabad

D.I. Resilient Seated Gate Valve

Dimensions And Materials Specification

PN 10, PN 16 OR PN 25 Rating, DN 50-1200

Water , Sewage & Sea water Application

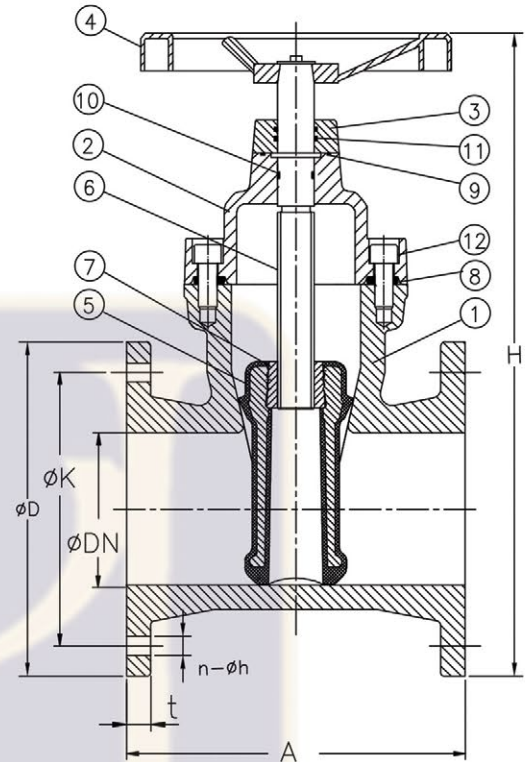


Technical Requirements

- Designed & manufactured according to standard of BS 5163-86 Type B, also available as per DIN 3352 Part 4 / AWWA C 509 / ISO 5752
- Face to face dimensions is according to standard of BS 5163/ IS 14846-2000 (PD) & ANSI B16.10
- The flange of the gate valve is according to IS 1538-93 (table-6) & BS 4504 also available as per BS EN 1092-2, DIN 2532/2533 & ISO 7005
- Testing & Inspection is according to standard of BS 6755 Part-1/DIN 3230

Design Features

- Inside screw non rising stem resilient seated wedge gate type.
- Housing , Bonnet, Body and Wedge in ductile Iron giving excellent strength performance.
- Wedge is fully encapsulated with EPDM or nitrile rubber combating corrosion & ensures 100% leak tightness.
- Full Clear Bore resulting in No head loss.
- Straight bottom resulting in unobstructed water way and eliminates the accumulation of derbis.
- Housing O-ring sealing system resulting in NO leaks and low operating torque.
- Bonnets fixed to body with countersunk bolts resulting in good assembly and no exposure of fasteners to soil.
- All ductile iron components (exclude wedge) are fully protected from corrosion by electro-statically applying epoxy powder coating with a minimum thickness of 250 microns.
- Easy maintenance and housing O-ring can be replaced when valve is in operation.
- Various type of operators such as handwheel, chainwheel, spur gear, bevel gear, pneumatic, hydraulic and electric actuator can be provided on request.



MATERIALS SPECIFICATION

MATL.	Body (1) Bonnet (2) Top Cover (3) Hand wheel (4)	Wedge (5)	Stem (6)	Stem Nut (7)	Bonnet Seal Ring (8) Gasket (9)	Wiper Ring (11) 'O' Ring (10)	Hex Bolt (12)	Bearing (If Req'd.)
STD.	Ductile Iron to DIN 1693 Gr. GGG-40 & Gr. GGG-50 or IS 1865 Gr. 400/15 & Gr. 500/7	Ductile Iron to DIN 1693 Gr. GGG-40 & Gr. GGG-50 or IS 1865 Gr. 400/15 & 500/7 (Fully rubber lined with EPDM)	Stainless steel AISI-420/410/304 & 316 or H.T. Brass	L.T.B. to IS:318 or Gun Metal to BS 1400 Gr. LG2 & Brass to BS 2874 Gr. CZ132/CZ122 /CZ116	EPDM Rubber Gr. W-270 (WRAS Approved)	EPDM/NBR	H. T. Steel to IS 1363/BS 4190 Gr. Hot Dipped Galvanised or Stainless steel	Teflon/ PTFE

NOMINAL PRESSURE (PN)		PN 10	PN 16	PN 25
TESTING PRESSURE	BODY	15 Kg/Sq.Cm.	24 Kg/Sq.Cm.	37.5 Kg/Sq.Cm.
	SEAT	11 Kg/Sq.Cm.	17.6 Kg/Sq.Cm.	27.5 Kg/Sq.Cm.
WORKING PRESSURE		10 Kg/Sq.Cm.	16 Kg/Sq.Cm.	25 Kg/Sq.Cm.
SUITABLE TEMPERATURE (°C)		-10°C to 120°C	<100	<100

NOTES : DIMENSIONS ABOVE 600NB WILL BE PROVIDED AS PER REQUEST

ALL DIMENSIONS ARE IN MM

Item Code	DN	A	D	K	t	n	h	H	Wt. (±Kg)
RSV50	50	178	165	125	16	4	19	325	14
RSV80	80	203	200	160	19	4	19	390	22
RSV100	100	229	220	180	20	8	19	430	26
RSV150	150	267	285	240	22	8	23	565	50
RSV200	200	292	340	295	24	8	23	680	75
RSV250	250	330	395	350	24	12	23	820	125
RSV300	300	356	445	400	26	12	23	930	174
RSV350	350	381	505	460	26	16	23	1020	320
RSV400	400	406	565	515	28	16	28	1100	430
RSV450	450	432	615	565	30	20	28	1250	540
RSV500	500	457	670	620	32	20	28	1350	690
RSV600	600	508	780	725	36	20	31	1500	840